

NEW VALVES IN TERMA OFFER

available in full colour palette

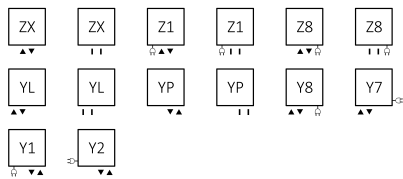
TWINS ALL IN ONE

Angled integrated thermostatic valve set

Available versions:



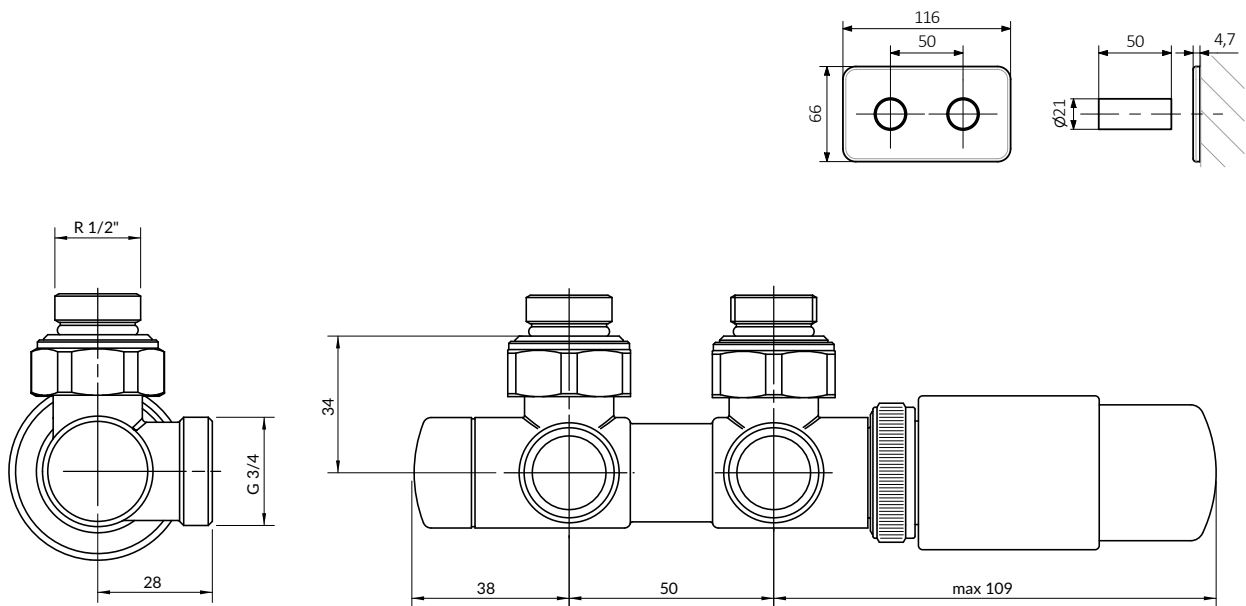
Connections:



The set contains:

Angled integrated thermostatic valve
 Thermostatic head M30×1.5
 Integrated pipe-masking set

2 x adapter PEX, ALU-PEX 16×2
 2 x adapter CU Ø 15



The valve should be installed in accordance with the specified direction of the heating medium flow and return.

| Orientation | Colour | Product code | Conf. code p. 8. ▶ |
|-------------|--------------------------------------|--------------|-----------------------------|
| left | RAL and Terma special colours (p. 8) | TGETTWINL | INSERT CODE |
| right | RAL and Terma special colours (p. 8) | TGETTWINP | INSERT CODE |

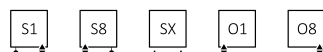
UNICO ALL IN ONE

Integrated angled thermostatic valve with immersion tube

Available versions:



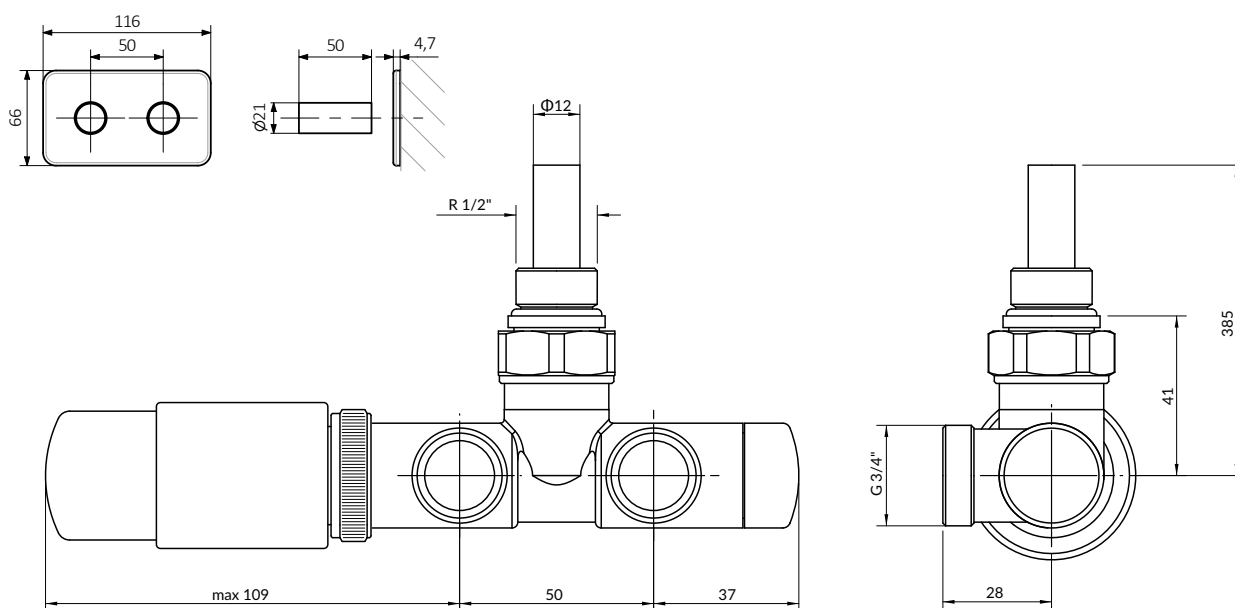
Connections:



The set contains:

Integrated angled thermostatic valve with immersion tube
 Thermostatic head M30x1.5

Integrated pipe-masking set
 2 x adapter PEX, ALU-PEX 16x2
 2 x adapter CU Ø 15



The valve should be installed in accordance with the specified direction of the heating medium flow and return.

| Orientation | Colour | Product code | Conf. code p. 8. ▶ |
|-------------|--------------------------------------|--------------|-----------------------------|
| left | RAL and Terma special colours (p. 8) | TGETUNICL | INSERT CODE |
| right | RAL and Terma special colours (p. 8) | TGETUNICP | INSERT CODE |

INTEGRA ALL IN ONE

3-axis thermostatic valve and lockshield integrated with t-piece set

Available versions:



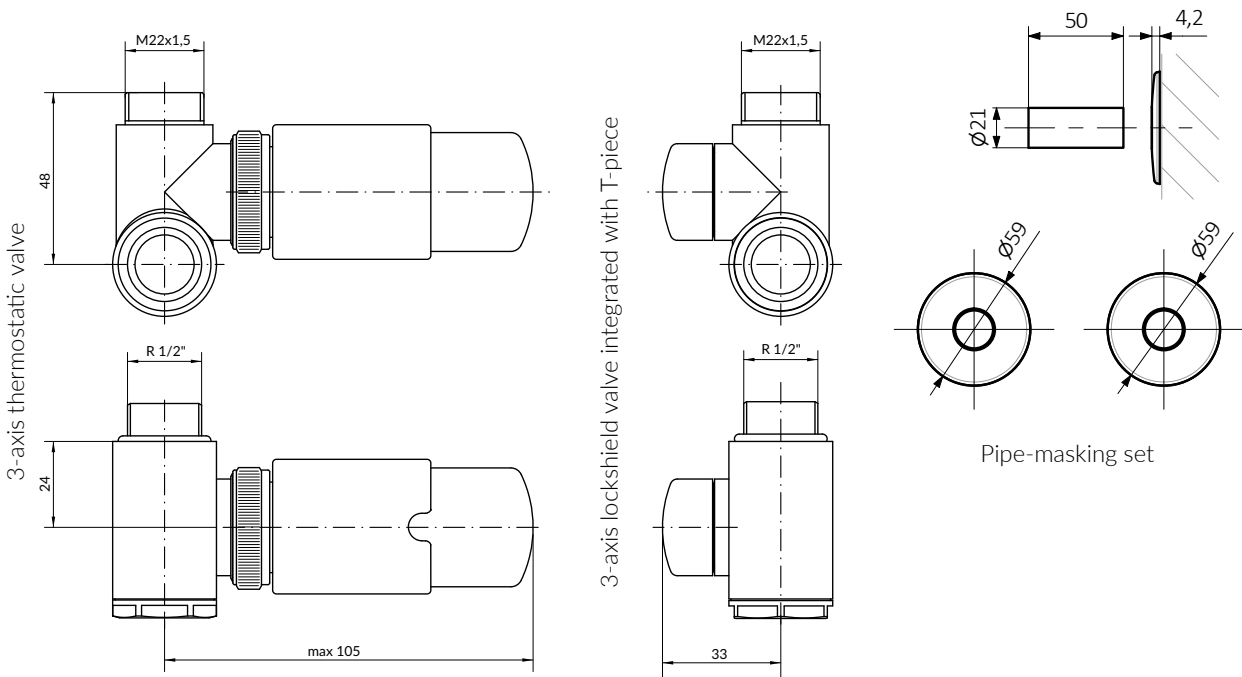
Connections:



The set contains:

3-axis thermostatic valve with T-piece for heating element assembly
 3-axis lockshield valve with T-piece for heating element assembly
 Thermostatic head M30x1.5

Pipe-masking set
 2 x adapter PEX, ALU-PEX 16x2
 2 x adapter CU Ø 15



The valve should be installed in accordance with the specified direction of the heating medium flow and return. The design of the kit allows the heater to be installed on each of the valves, however, for safety reasons, we recommend placing it on the cut-off valve. **NOTE:** The kit does not allow the installation of TERMA REG 2 and REG 3 heaters.

| Orientation | Colour | Product code | Conf. code p. 8. ▶ |
|-------------|--------------------------------------|--------------|-----------------------------|
| left | RAL and Terma special colours (p. 8) | TGETINTEL | INSERT CODE |
| right | RAL and Terma special colours (p. 8) | TGETINTEP | INSERT CODE |

VISION ALL IN ONE

3-axis thermostatic valve set

Available versions:



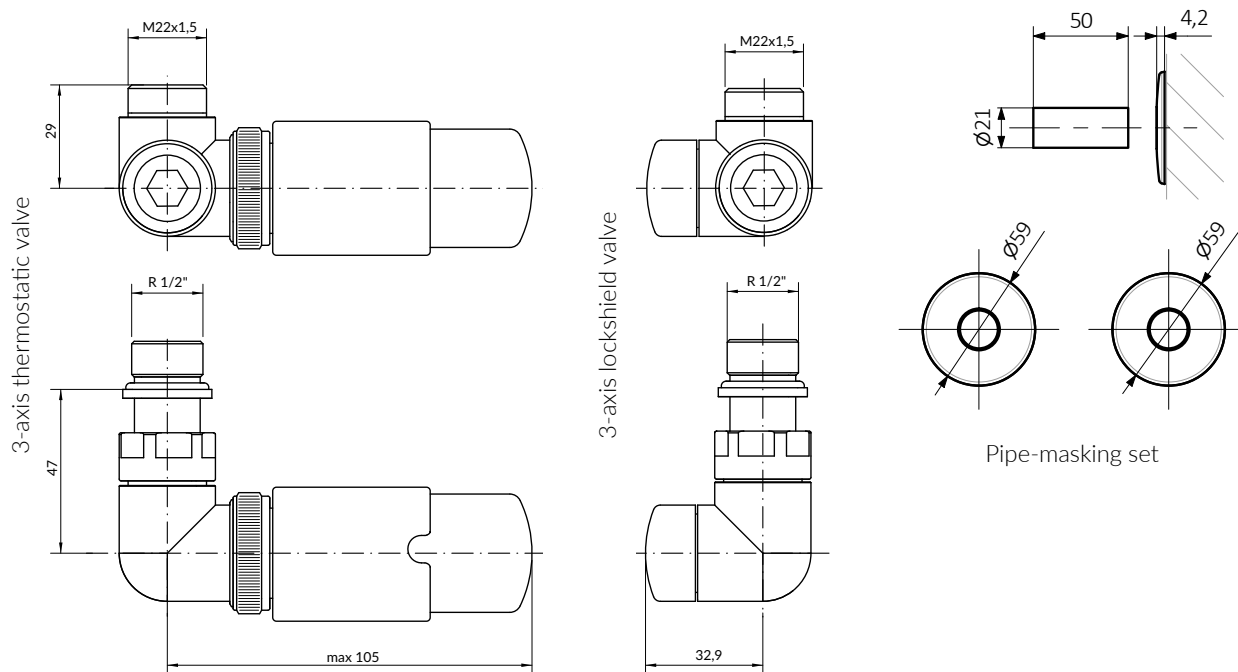
Connections:



The set contains:

- 3-axis thermostatic valve
- 3-axis lockshield valve
- Thermostatic head M30x1.5

- Pipe-masking set
- 2 x adapter PEX, ALU-PEX 16x2
- 2 x adapter CU Ø 15



The valve should be installed in accordance with the specified direction of the heating medium flow and return.

| Orientation | Colour | Product code | Conf. code p. 8. ▶ |
|-------------|--------------------------------------|--------------|-----------------------------|
| left | RAL and Terma special colours (p. 8) | TGETVISIL | INSERT CODE |
| right | RAL and Terma special colours (p. 8) | TGETVISIP | INSERT CODE |

VISION ALL IN ONE

3-axis manual valve set

Available versions:



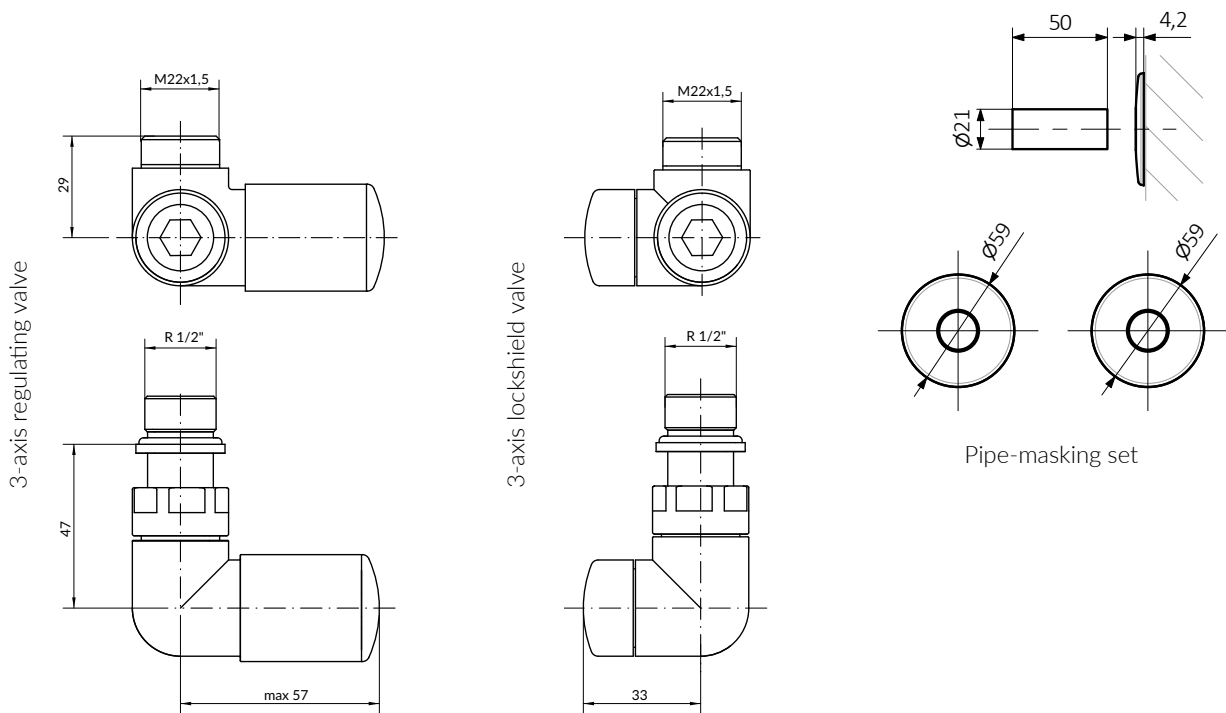
Connections:



The set contains:

- 3-axis regulating valve
- 3-axis lockshield valve
- Pipe-masking set

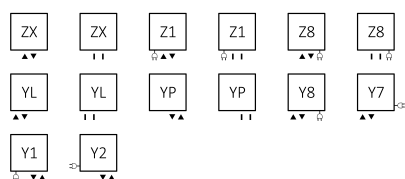
- 2 x adapter PEX, ALU-PEX 16x2
- 2 x adapter CU Ø 15



| Orientation | Colour | Product code | Conf. code p. 8. ▶ |
|-------------|--------------------------------------|--------------|-----------------------------|
| left | RAL and Terma special colours (p. 8) | TGERVISIL | INSERT CODE |
| right | RAL and Terma special colours (p. 8) | TGERVISIP | INSERT CODE |

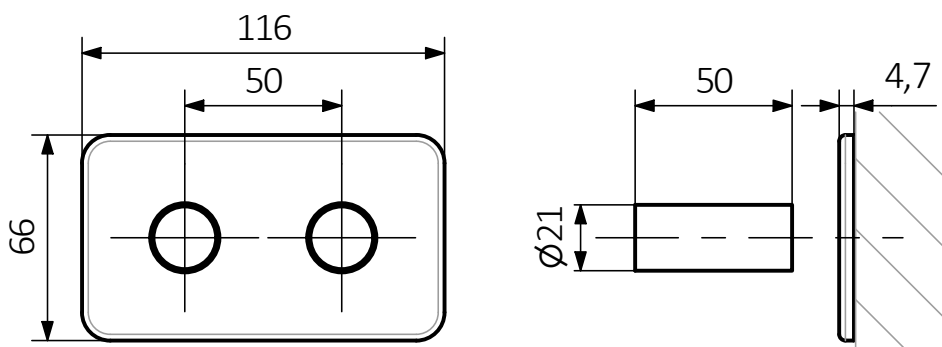
INTEGRATED PIPE-MASKING SET

Connections:



The set contains:

Double, rectangular masking cover for 50 mm connection, H-block valves
 2 x masking sleeve 50 mm



Colour

Product code [Conf. code p. 8. ▶](#)

RAL and Terma special colours (p. 8)

TGPZMRP1 [INSERT CODE](#)

CONFIGURATION CODE

Product codes can be found in product data sheet tables. The codes provide some basic information about the product while a partially filled configuration code contains complementary information about the detailed specifications. When placing an order, Product codes should include the fully completed configuration part. The configuration code part should be placed after the main Product code. The main product code and configuration part will appear as shown in the example below:

Code structure

TGETTWINL

K916

PRODUCT CODE
(located in the table for
the product)

CONFIGURATION CODE
(supplemented by hand)

Configuration

K 916

Package code
K - karton

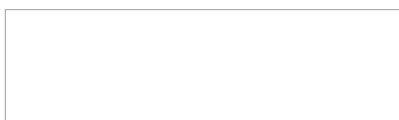
Colour code

*Colour code is for products available
in RAL palette and special colours.*

SET COLOUR OPTIONS

Readily available finishes:

White SOFT (KS96)



Black Mat (K9M5)



Chrome (KCRO)



White Gloss (K916)



Black Gloss (K9P5)



Available to order:



The set is available, on request, in all RAL colours and most special colours, including SOFT 9005, SOFT 7047, MAT 7016.

The colours that are not available as part of the set include the remaining SOFT and MAT finishes, Black Crocodile New, White Gold and the premium finishes (wet paints).

All information provided in this brochure was valid until printing. In accordance with the motto of Terma Sp. z o.o. that expresses the necessity of constant development, some technical features of products as well as their detail descriptions may vary in the future from their state at the time of this publication.



Czaple 100
80-298 Gdańsk
Poland

www.termaheat.com

