

# 3-axis thermostatic valve set

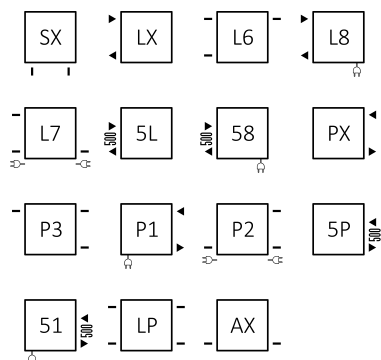
## Available versions:



The left or right-hand version determines the position of the thermostatic insert or manual valve with male thread.

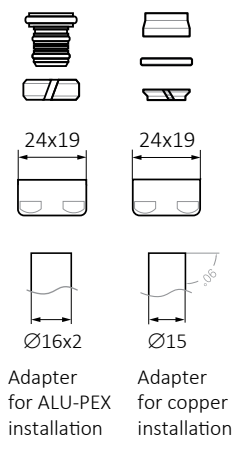
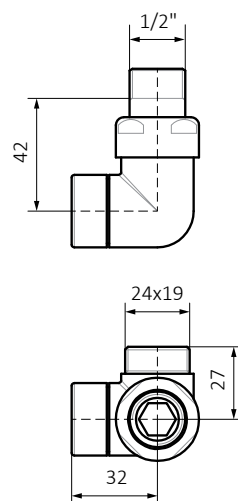
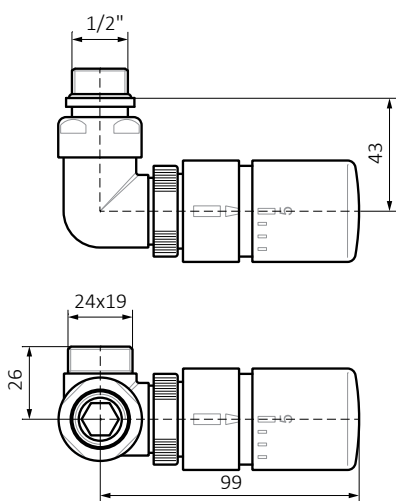
Colour Options: 

## Connections:



Position	Size	Colour	Product code
Left	GZ 1/2" - Ø16x2, Ø15	Chrome	WRZTCG1-CR
Right	GZ 1/2" - Ø16x2, Ø15	Chrome	WRZTCG2-CR
Left	GZ 1/2" - Ø16x2, Ø15	Satin	WRZTCG8-ST
Right	GZ 1/2" - Ø16x2, Ø15	Satin	WRZTCG9-ST
Left	GZ 1/2" - Ø16x2, Ø15	Black matt	WRZTCG1-CM
Right	GZ 1/2" - Ø16x2, Ø15	Black matt	WRZTCG2-CM
Left	GZ 1/2" - Ø16x2, Ø15	Black gloss	WRZTCG1-CZ
Right	GZ 1/2" - Ø16x2, Ø15	Black gloss	WRZTCG2-CZ

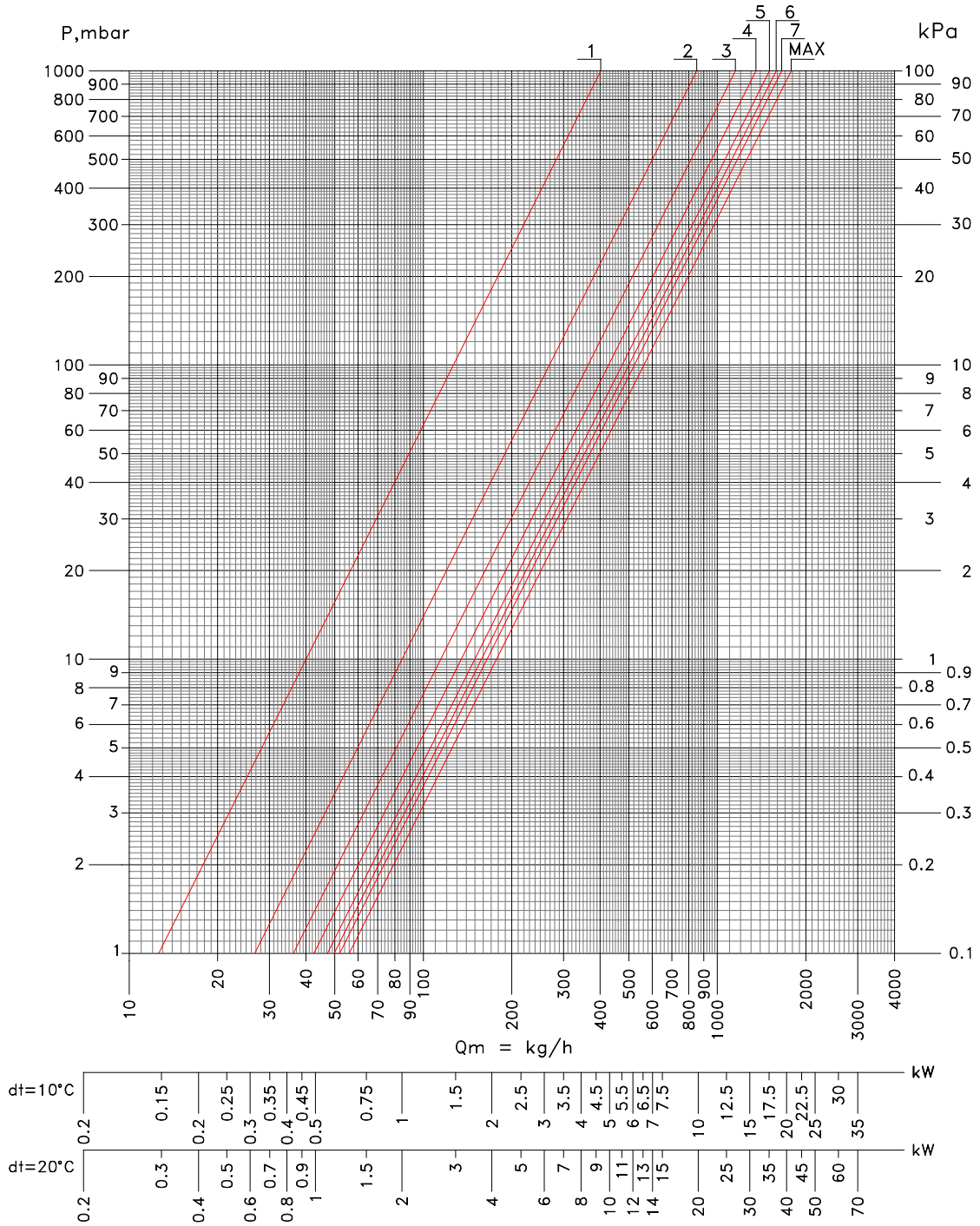
# 3-axis thermostatic valve set



# 3-axis thermostatic valve set



CORNER TERMO PRESET / THERMO PRESET  
DN10 3/8" DN15 1/2"



set-point	1	2	3	4	5	6	7	MAX
Kv	0,4	0,85	1,15	1,35	1,50	1,58	1,65	1,78