

# 3-axis manual valve set

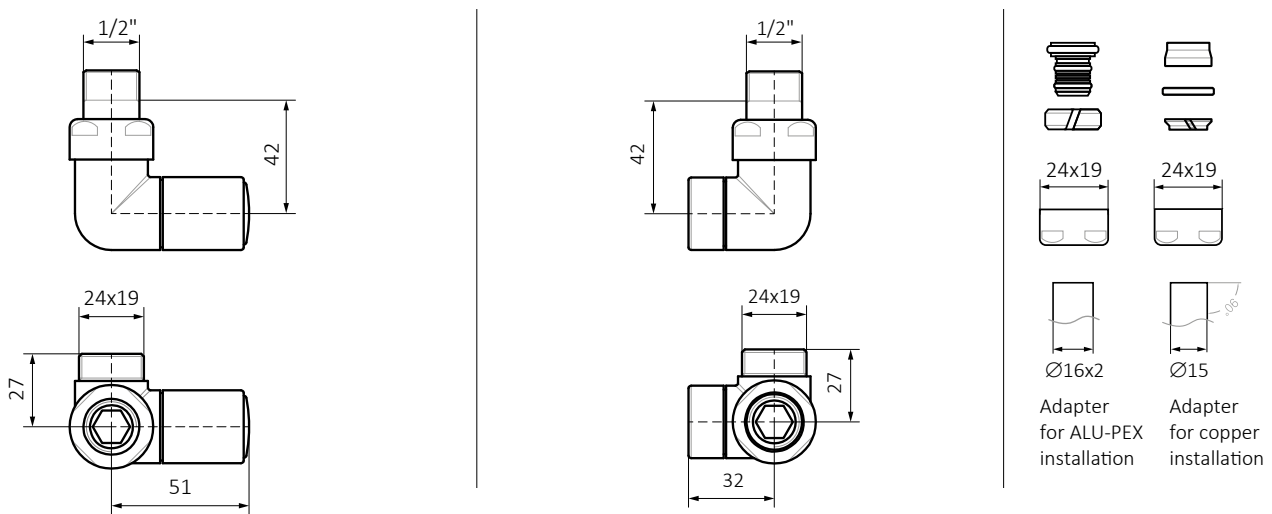
## Available versions:



The left or right-hand version determines the position of the thermostatic insert or manual valve with male thread.

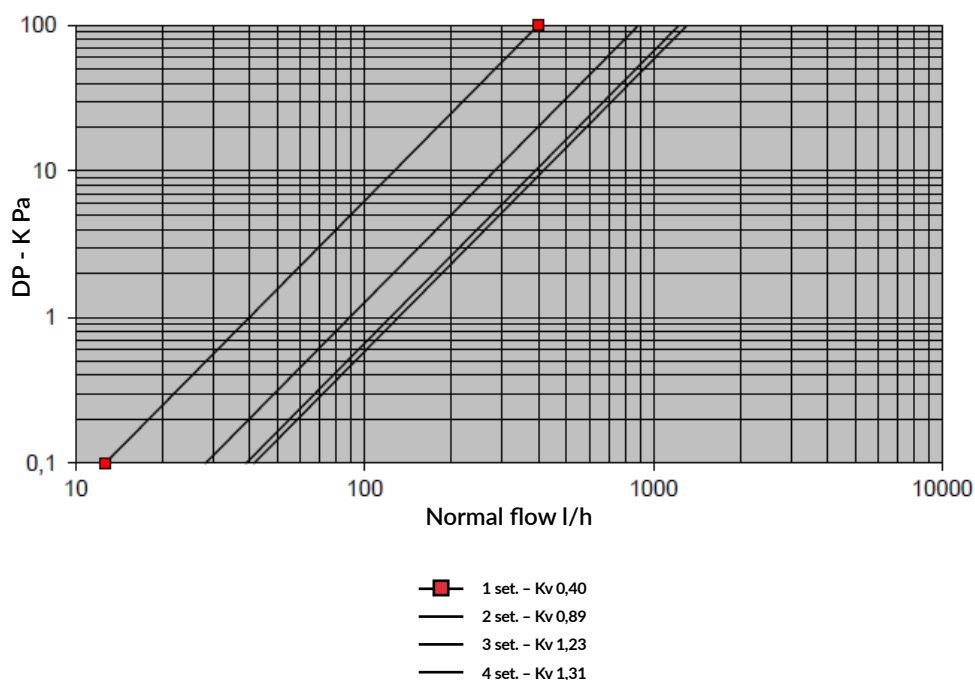
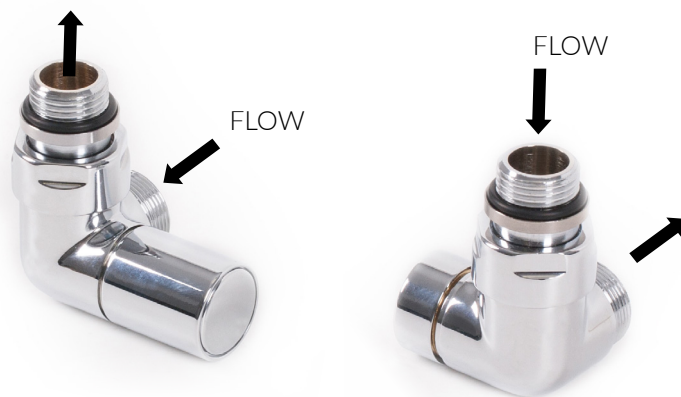
Colour Options: ● ○ ● ●

## Connections:



Position	Size	Colour	Product code
Left	GZ 1/2" - Ø16x2, Ø15	Chrome	WRZRC31-CR
Right	GZ 1/2" - Ø16x2, Ø15	Chrome	WRZRC32-CR
Left	GZ 1/2" - Ø16x2, Ø15	Satin	WRZRC31-ST
Right	GZ 1/2" - Ø16x2, Ø15	Satin	WRZRC32-ST
Left	GZ 1/2" - Ø16x2, Ø15	Black matt	WRZRC301-CM
Right	GZ 1/2" - Ø16x2, Ø15	Black matt	WRZRC302-CM
Left	GZ 1/2" - Ø16x2, Ø15	Black gloss	WRZRC301-CZ
Right	GZ 1/2" - Ø16x2, Ø15	Black gloss	WRZRC302-CZ

# 3-axis manual valve set



set-point	1	2	3	4	DP	rad. DP
0,1K Pa l/h	12,64	28,12	38,868	41,396	0,1	31,6
10K Pa l/h	400	890	1230	1310	100	1000
Kv	0,4	0,89	1,23	1,31		