



◀ **Radiator**

ROLO HANGER E 1800↓ x 90↔ E8,  
radiator colour: SOFT 9005,  
radiator code: WLROW180009 K905E8

**Valves and accessories**

MOA

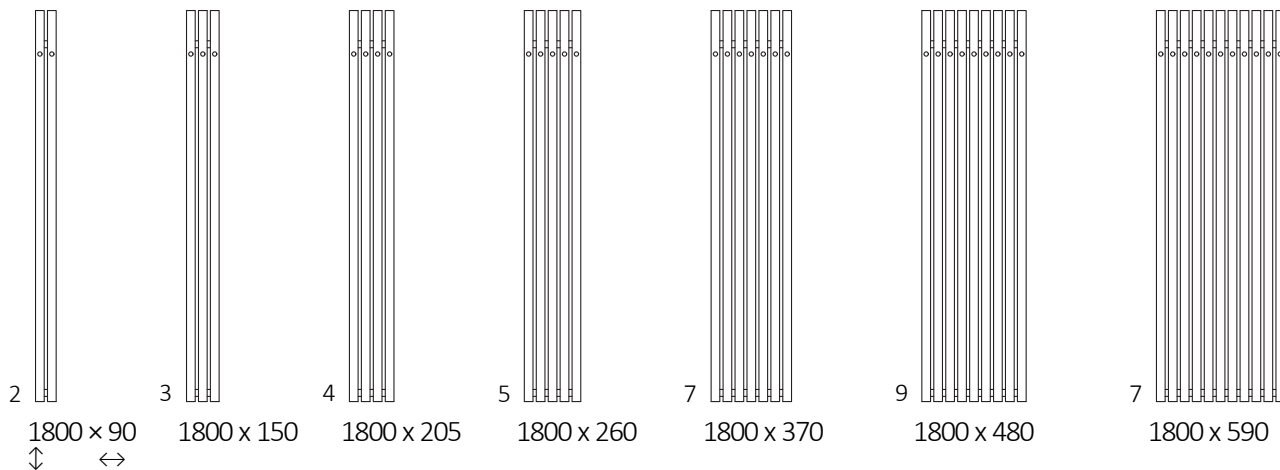
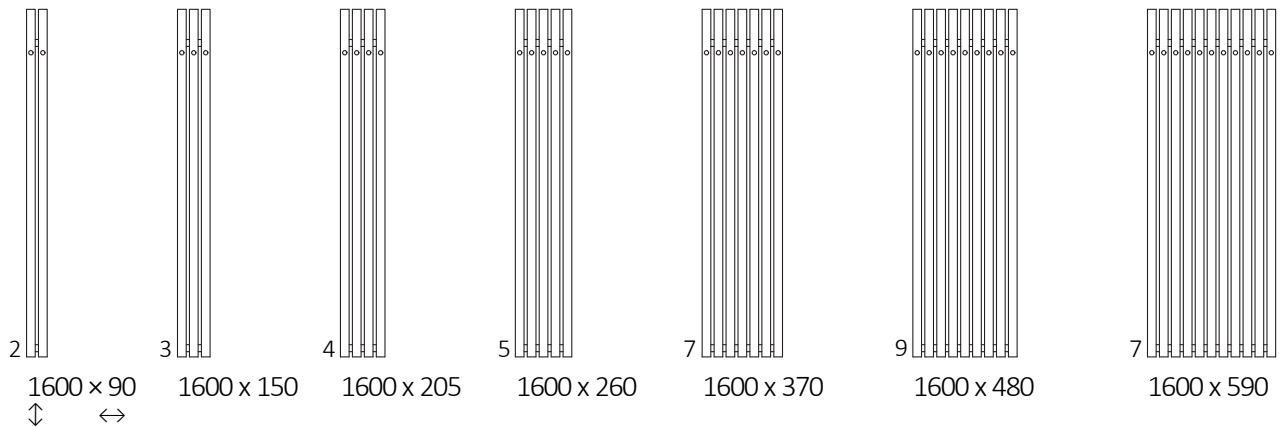
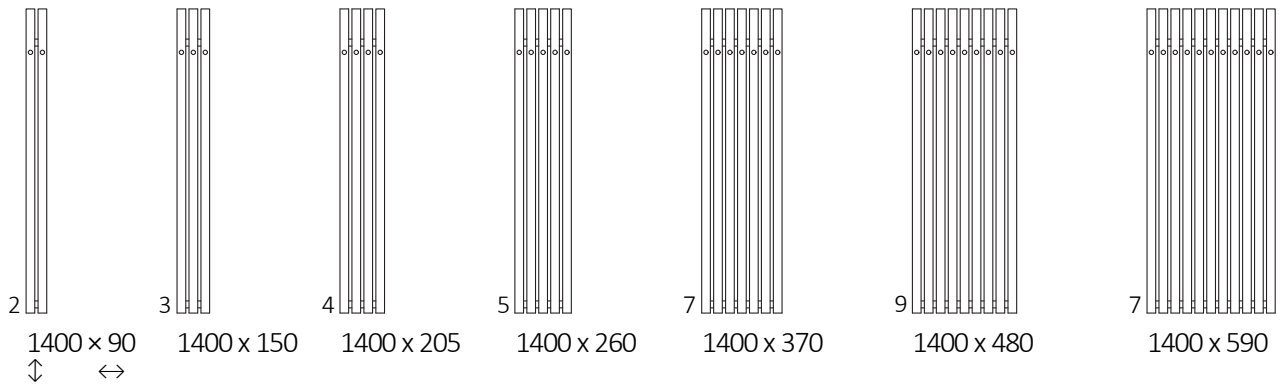
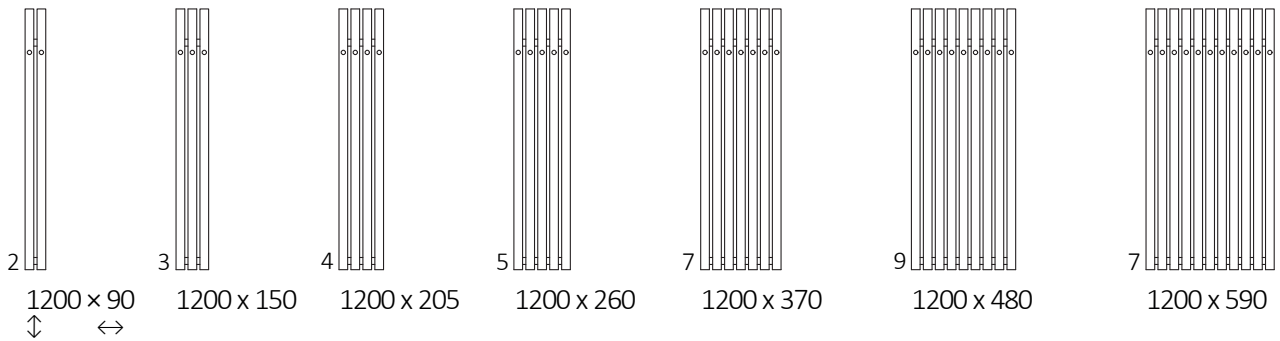
**ROLO HANGER E**







AVAILABLE SIZES





## ELECTRIC RADIATOR

Connections



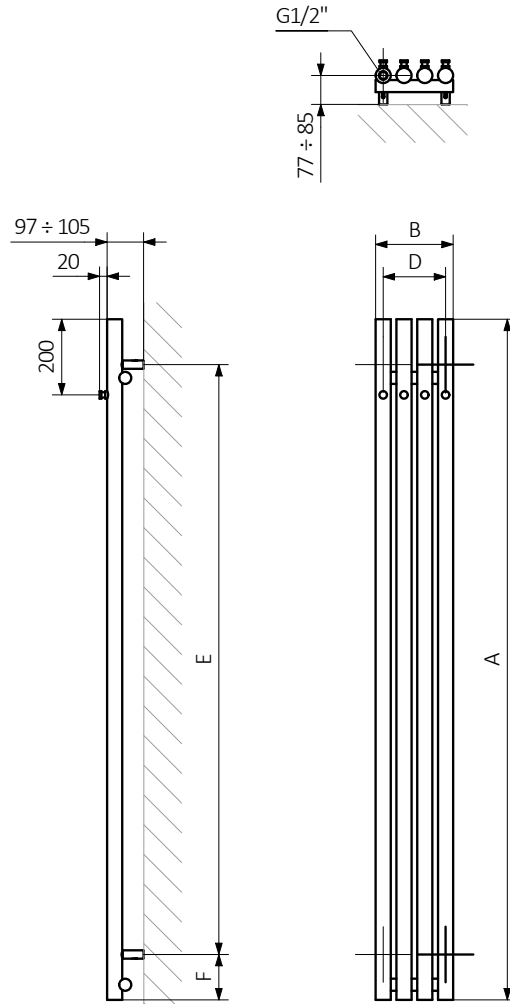
Height A ⇕ [mm]	Width B ↔ [mm]	Heating power [W]	Product code <a href="#">... Configuration p. 9</a>
1200	95	200	WLOW120009
1200	150	300	WLOW120015
1200	205	300	WLOW120020
1200	260	400	WLOW120026
1200	370	600	WLOW120037
1200	480	800	WLOW120048
1200	590	800	WLOW120059
1400	95	200	WLOW140009
1400	150	300	WLOW140015
1400	205	400	WLOW140020
1400	260	400	WLOW140026
1400	370	600	WLOW140037
1400	480	800	WLOW140048
1400	590	1 000	WLOW140059
1600	95	200	WLOW160009
1600	150	300	WLOW160015
1600	205	400	WLOW160020
1600	260	600	WLOW160026
1600	370	800	WLOW160037
1600	480	1 000	WLOW160048
1600	590	1 200	WLOW160059
1800	95	300	WLOW180009
1800	150	400	WLOW180015
1800	205	600	WLOW180020
1800	260	600	WLOW180026
1800	370	800	WLOW180037
1800	480	1 000	WLOW180048
1800	590	1 200	WLOW180059

## DIMENSIONS AND TECHNICAL INFORMATION

Height A ↕ [mm]	Width B ↔ [mm]	Spacing horizontal fasteners D [mm]	Spacing vertical fasteners E [mm]	Bottom fasteners position F [mm]	Capacity  [dm <sup>3</sup> ]	Weight  [kg]
1200	95	55	960	120	2,71	6,19
1200	150	110	960	120	4,08	9,20
1200	205	165	960	120	5,44	12,22
1200	260	220	960	120	6,81	15,24
1200	370	330	960	120	9,54	21,27
1200	480	440	960	120	12,27	27,29
1200	590	550	960	120	15,00	33,33
1400	95	55	1160	120	3,14	7,12
1400	150	110	1160	120	4,72	10,61
1400	205	165	1160	120	6,30	14,09
1400	260	220	1160	120	7,88	17,58
1400	370	330	1160	120	11,05	24,56
1400	480	440	1160	120	14,21	31,53
1400	590	550	1160	120	17,37	38,48
1600	95	55	1360	120	3,57	8,06
1600	150	110	1360	120	5,37	12,03
1600	205	165	1360	120	7,16	15,97
1600	260	220	1360	120	8,96	19,93
1600	370	330	1360	120	12,55	27,84
1600	480	440	1360	120	16,14	35,74
1600	590	550	1360	120	19,74	43,66
1800	95	55	1560	120	4,00	9,06
1800	150	110	1560	120	6,01	13,53
1800	205	165	1560	120	8,02	18,01
1800	260	220	1560	120	10,03	22,47
1800	370	330	1560	120	14,06	31,38
1800	480	440	1560	120	18,08	40,27
1800	590	550	1560	120	22,10	49,18

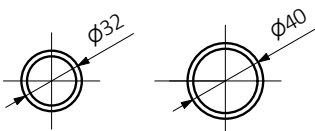
TECHNICAL DRAWING

E1



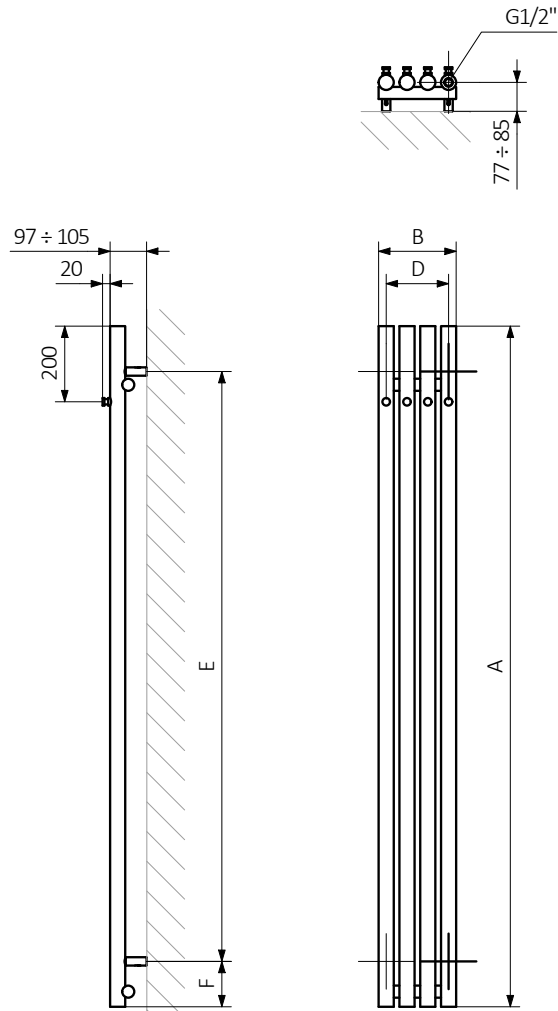
A – Height B – Width D – Horizontal distance between mounting bracket centres E – Vertical distance between mounting brackets F – Distance between a mounting bracket and the bottom of the radiator

**Collector: Pipe:**



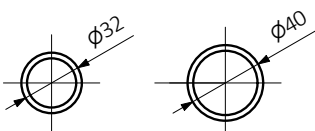
TECHNICAL DRAWING

E8



A – Height B – Width D – Horizontal distance between mounting bracket centres E – Vertical distance between mounting brackets F – Distance between a mounting bracket and the bottom of the radiator

**Collector: Pipe:**

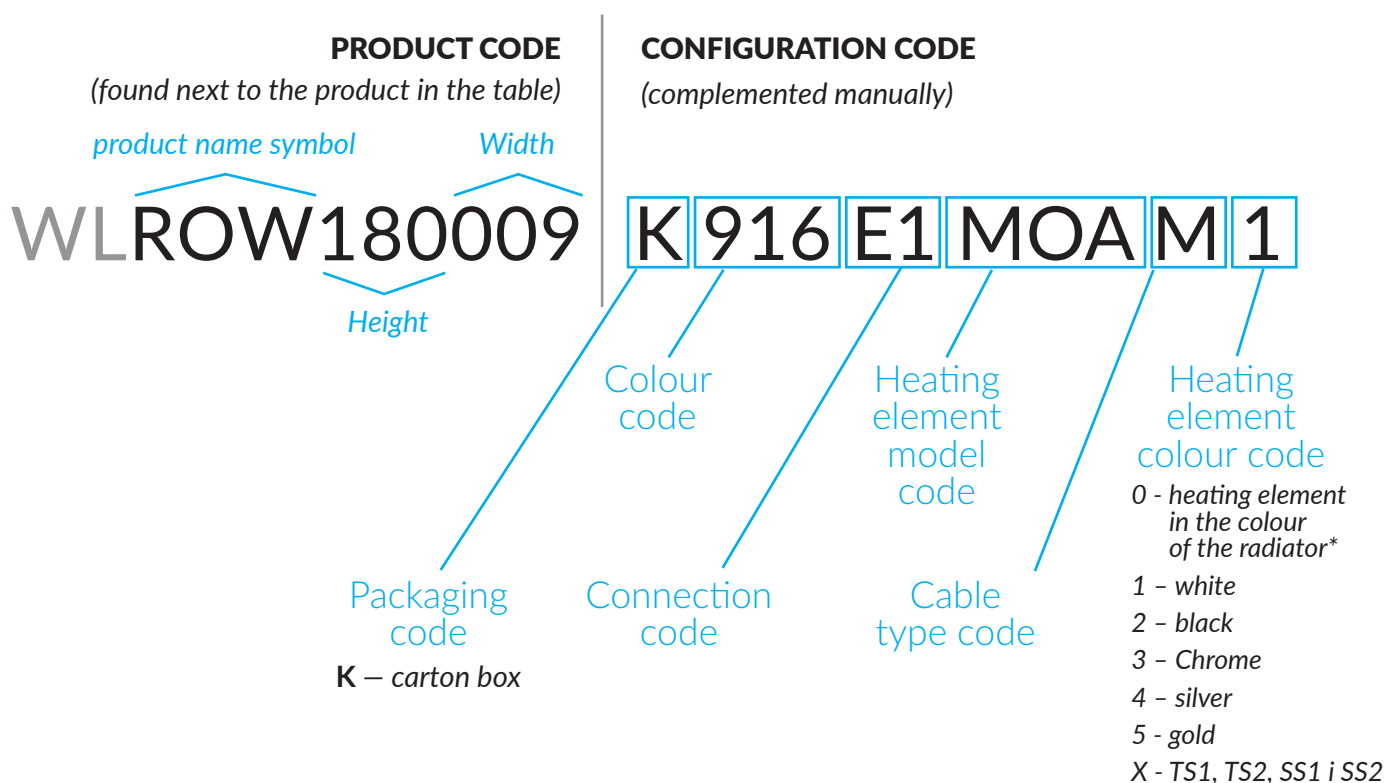




## A CONFIGURATION CODE FOR AN ELECTRIC TOWEL RAIL OR RADIATOR FILLED WITH OIL AND FITTED WITH A HEATING ELEMENT (PRODUCT GROUP „WL”)

Product codes can be found in the product tables in both the catalogue and the price list. They provide basic information about the product, and the configuration code contains information that complements the specification. When placing an order, the product codes should contain the fully completed configuration part. Part of the configuration code should be placed after the main product code as shown in the example below:

### CODE DETAILS:



**WL** – electric towel rail or radiator filled with oil and fitted with a factory installed heating element