

MOA



photo: chrome, straight cable



Functions and features:

Functionality

MOA offers 5 temperature settings ranging from 30°C to 60°C. It is equipped with an electronic temperature sensor that guarantees precise temperature control. MOA displays the currently set temperature level and the status of the heating cycle using illuminated diodes. The heating element has a very low power consumption in a standby mode.

Dryer Function

This function allows the setting of a higher heating power for two hours, after which the device returns to the previous state.

Intelligent Building Systems

In the event of a power failure the MOA remembers its previous settings therefore making it suitable for connection to external timers and intelligent building systems.

Safety

MOA is equipped with frost protection (ANTIFREEZE). It also has double protection against overheating of the radiator. It displays warning indicators in case of malfunction. It has an active safety feature in case of operation in a dry radiator.

Design

MOA is supplied with a straight cable and without a plug, it is also available with a 'cable masking' as an optional extra.

Colour

Available colours: white, silver, chrome and black. Heating element can also be offered in any RAL colour and Terma special colours (including brass and gold) subject to a minimum order of 100 pcs per colour.

Specifications:

Power supply:	230 V / 50 Hz
Device protection class:	Class I
Radiator connection:	G 1/2"
Ingress protection [IP]:	IPx5

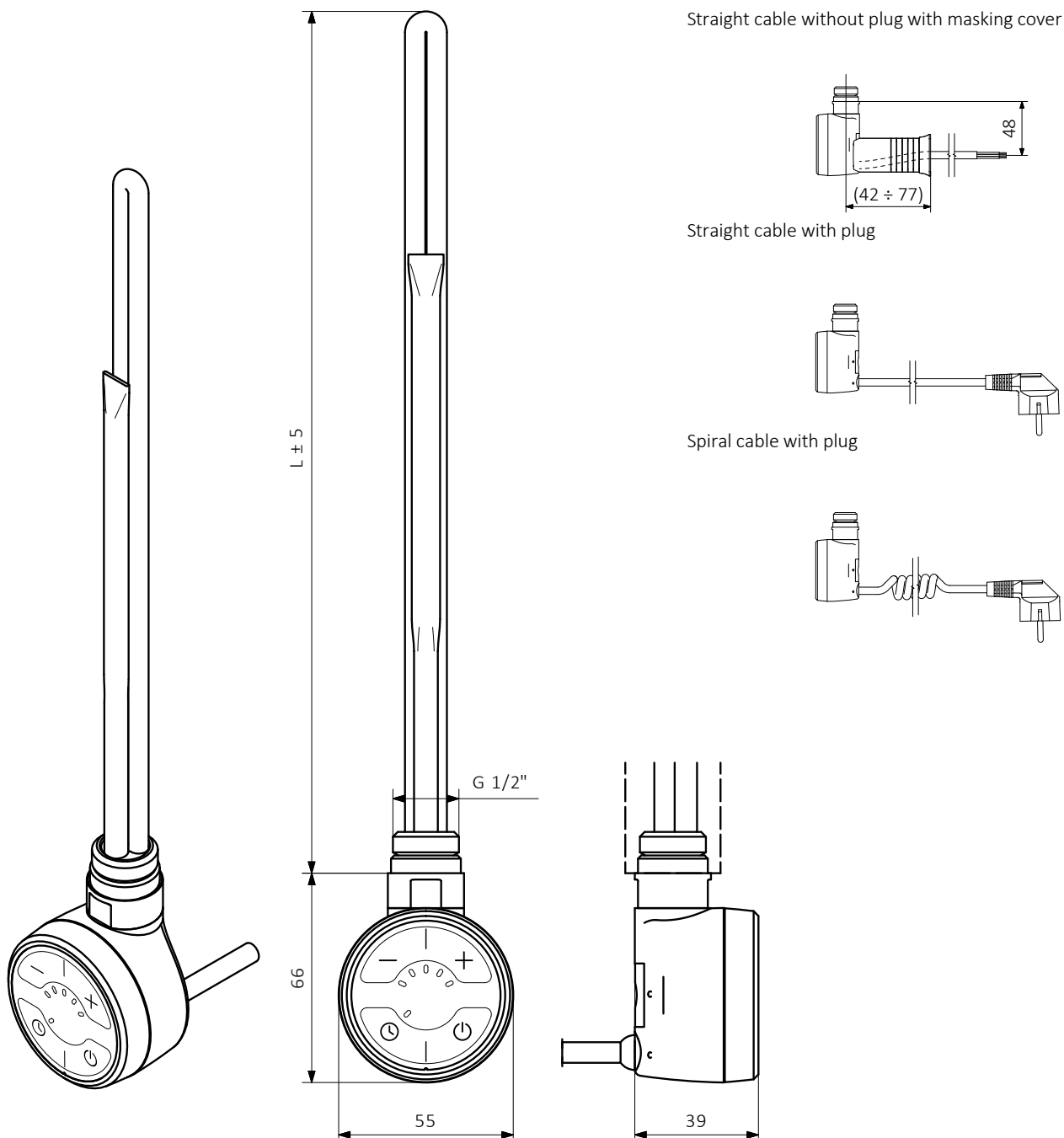
Table configurations:

Example of product code: **WE** **MAT** **04** **T** **SMA** **W**

Element power code Colour or finish code Cable type and plug code
Model code Packaging code

Code elements highlighted in blue

Model	Power [W]	Packaging	Colour	Cable Type
WE MOA MOA	01 120	F Foil sleeve	916 White	W Straight cable with plug
MAT MOA + T piece	02 200	T Tube	SMA Silver	M Straight cable without plug with masking cover
	03 300		CRO Chrome	U Spiral cable with plug
	04 400		905 Black	
	06 600			
	08 800			
	10 1000			
	12 1200			



L [mm]	315	275	300	335	365	475	565	660
Power [W]	120	200	300	400	600	800	1000	1200