

KTX 4 BLUE



KTX 4 BLUE

cable: straight
colour: chrome

KTX 4 BLUE



design: Przemysław Jan Majchrzak

Functions and features:

Functionality

The heating element can be fully controlled through the BLUE-Line control mobile application. The mobile application allows you to control both the temperature of the radiator (30-60 °C) and the room temperature (15-30 °C); program any number of 7-day schedules; program advanced timer. The buttons on the controller's housing allow you to set the operating temperature in a simplified way or run a simplified Timer (up to 4 hours). The device displays the currently set temperature level and indicates the status of the heating cycle or standby mode. The KTX 4 is designed to use with the TS 1 heating element. The unique feature of the KTX range of heating elements is the Terma-Split System. The Terma-Split connector makes it possible to disconnect the TS 1 from the controller head. More information on the TS 1 can be found on page 488. The KTX 4 is also equipped with actual heating time counter for energy consumption calculations.

Remote Control

Any portable device, smartphone or tablet, with Bluetooth® can be used for remote control. BLUE-Line control mobile application for Android and iOS is available via Google Play® or Apple Store®. With one mobile device, it is possible to program and control any number of BLUE devices (radiator and heating elements) within range of the mobile device.

Safety

The KTX 4 is equipped with a 'frost' protection (ANTIFREEZE). It also has double protection against the element overheating as well as a safety feature that prevents damage in case of operation in a dry radiator. A device error or malfunction is identified by a display of error codes.

Design

Equipped with an easy to read single digit LED display in blue.

Colour

Available colours: white, silver, chrome and black. Facia always comes in silver regardless of the housing colour. The heating element can also be offered in any RAL colour and Terma special colours (including brass and gold) subject to a minimum order of 100 pcs per colour.

Table configurations:

Example of product code:



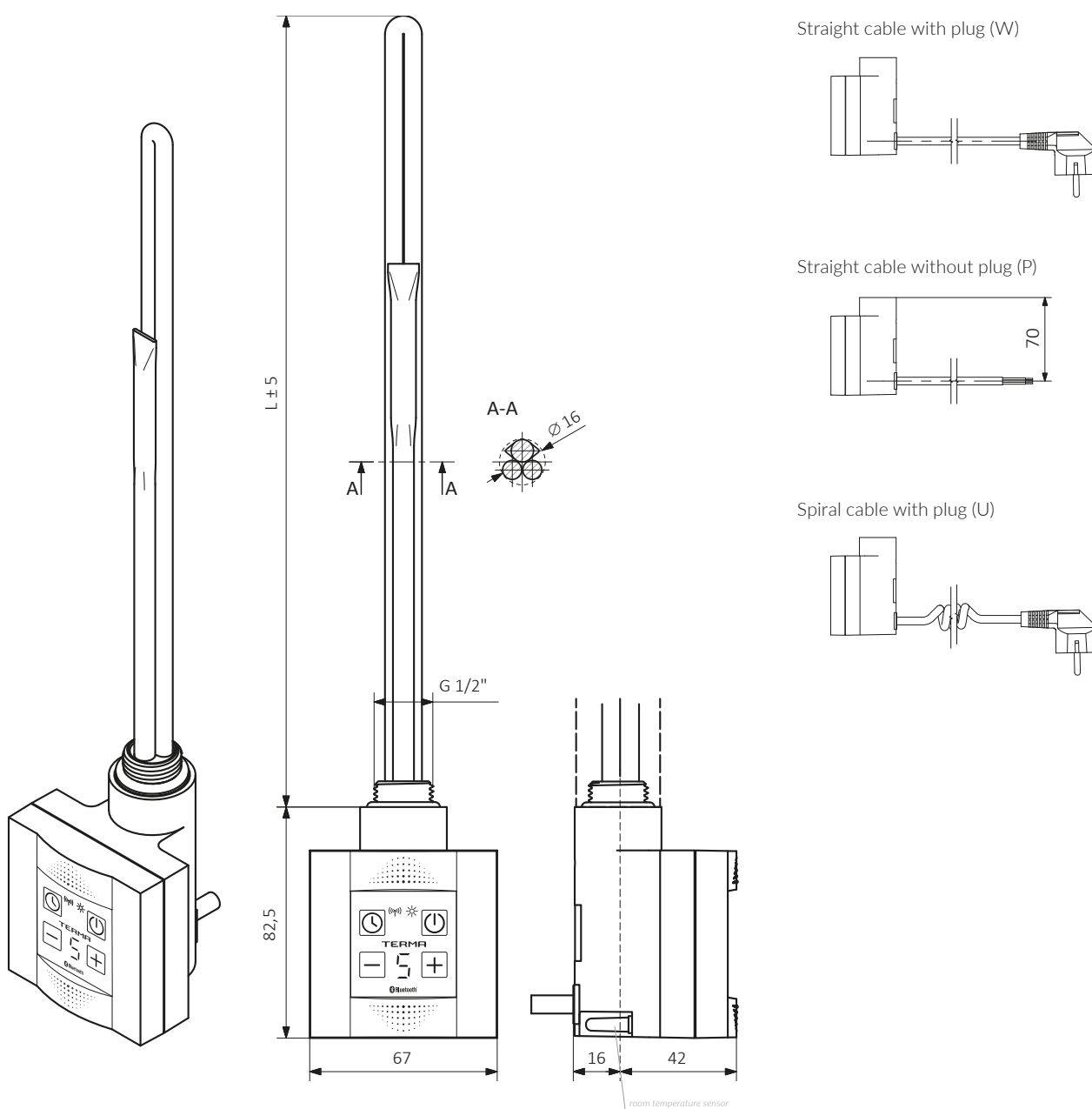
Code elements highlighted in blue

Model	Power [W]	Packaging	Colour	Cable Type
WE K4B KTX4 BLUE	controller only	K Box	916 White	W Straight cable with plug
WE K4B KTX4 BLUE	01 120	T Tube	SMA Silver	P Straight cable without plug
	02 200		CRO Chrome	U Spiral cable with plug
	03 300		905 Black	
	04 400			
	06 600			
	08 800			
	10 1000			

KTX 4 BLUE

Specifications:

Power supply:	230 V / 50 Hz
Heating element:	Terma Split I
Device protection class:	Class I
Radiator connection:	G 1/2"
Ingress protection [IP]:	IPx5
Temperature measurement:	Temperature inside the radiator and room temperature



L [mm]	325	285	310	345	375	485	575
Power [w]	120	200	300	400	600	800	1000