

KTX 2



photo: black, spiral cable



Functions and features:

Functionality

This KTX 2 has a five step temperature control which ranges from 30°C to 60°C. An electronic temperature sensor ensures precise temperature control. The device displays its current temperature setting. The KTX 2 is designed for use with the TS 1 heating element. The unique feature of the KTX range of heating elements is the Terma-Split System. The Terma-Split connector makes it possible to disconnect the TS 1 from the controller head.

Timer

The KTX 2 heating element has a 2-hour timer with two working modes. One mode is used while the KTX 2 is active and heating. In this mode the KTX 2 will maintain the previously set temperature and then

switch itself off after 2 hours. The second mode can be used to turn the KTX 2 on (when previously off) for a period of 2 hours, following these 2 hours the KTX 2 will turn off.

Intelligent Building Systems

The KTX 2 remembers its previous settings even when the power supply is lost. It is therefore suitable to be used with external timers or intelligent building systems.

Safety

The KTX 2 is equipped with 'frost' protection (ANTIFREEZE). It has a double protection against overheating of the radiator and displays a warning in case of malfunction

Design

The KTX 2 heating element has The KTX 2 heating element has an easy to use interface. A version with a cable-masking cover, additional power on/off switch and screw connection is also available.

Colour

Available colours: white, silver, chrome and black. The heating element can also be offered in any RAL colour and Terma special colours (including brass and gold) subject to a minimum order of 100 pcs per colour.

Specifications:

Power supply:	230 V / 50 Hz
Heating element:	Terma Split I
Device protection class:	Class I
Radiator connection:	G 1/2"
Ingress protection [IP]:	IPx4: MS version (screw terminals); IPx5: version with cable

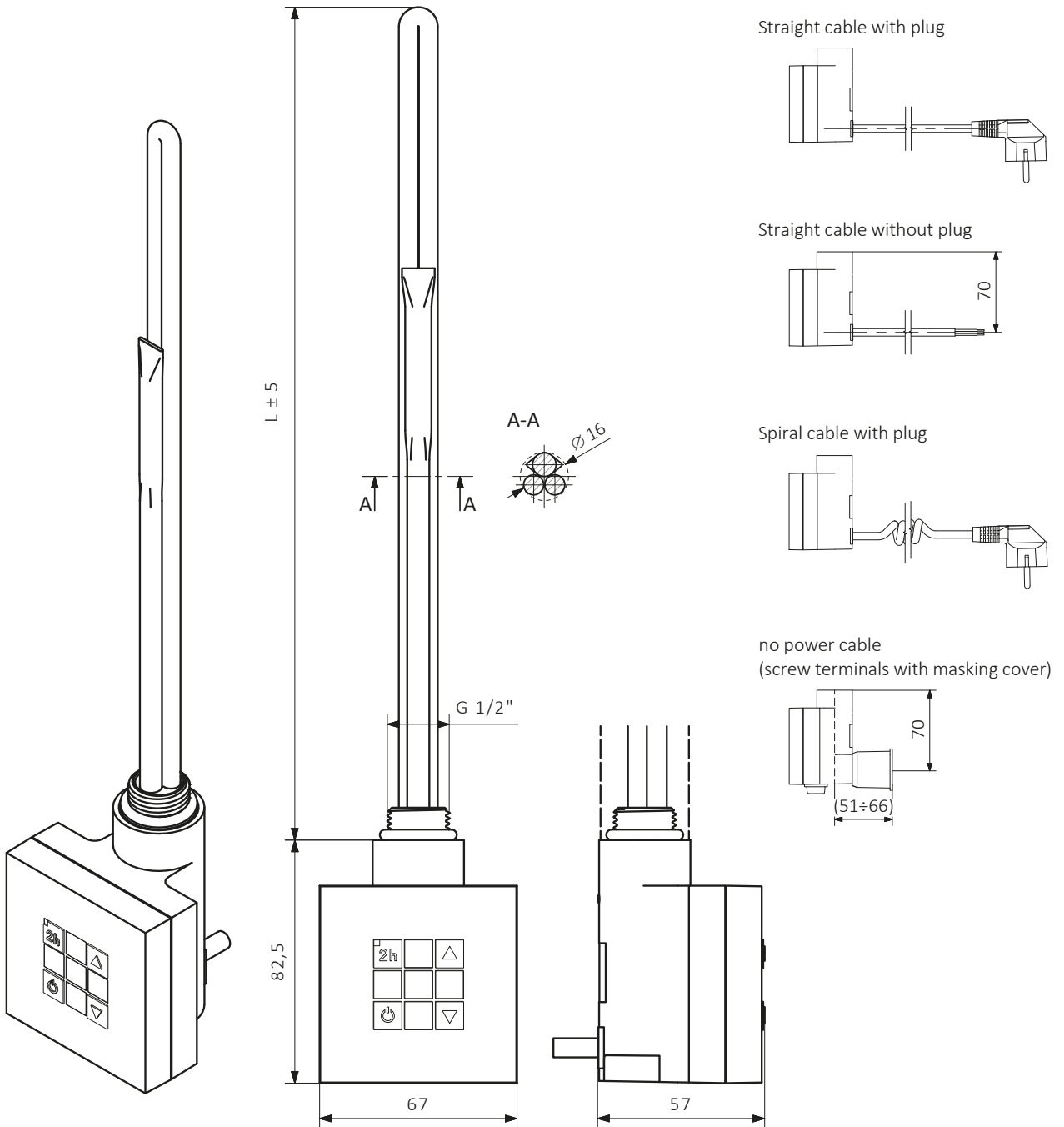
Table configurations:

Example of product code: **WE**^{Element power code}**KT2**^{Colour or finish code}**04**^{Model code}**T**^{Packaging code}**SMA**^{Cable type and plug code}**W**

Code elements highlighted in blue

Model	Power [W]	Packaging	Colour	Cable Type
WE KT2 KTX 2	– controller only	K Box	916 White	W Straight cable with plug
	01 120	T Tube	SMA Silver	P Straight cable without plug
	02 200		CRO Chrome	U Spiral cable with plug
	03 300		905 Black	S no power cable
	04 400			(screw terminals with masking cover)
	06 600			
	08 800			
	10 1000			

KTX 2



L [mm]	325	285	310	345	375	485	575
Power [W]	120	200	300	400	600	800	1000