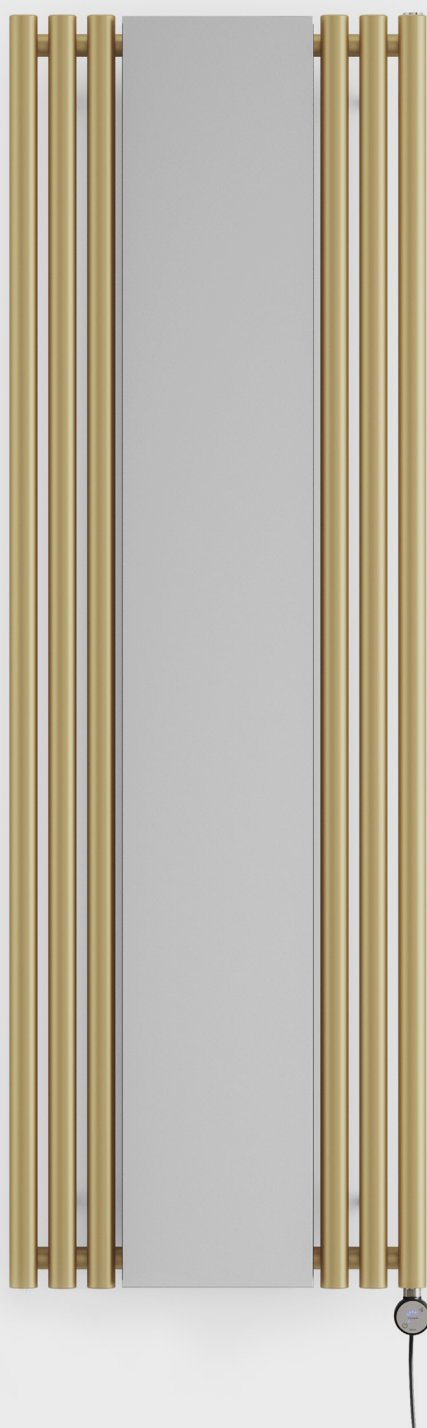




**TERMA**

SINCE 1990



◀ **Radiator**

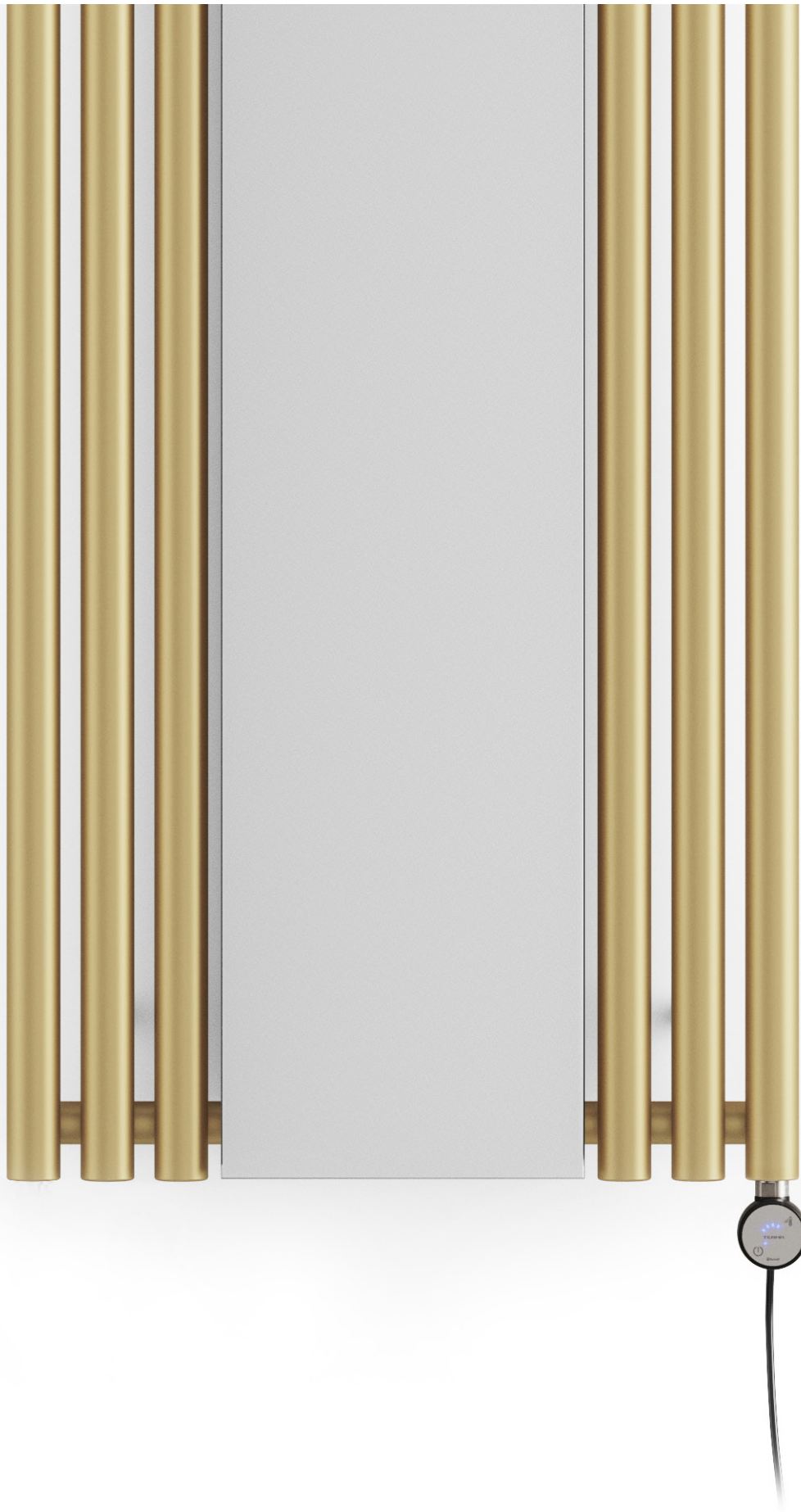
Rolo Mirror E 1800↓ x 590↔ E8,  
radiator colour: BRASS,  
radiator code: WLROM180059 KBRAE8

**Valves and accessories**

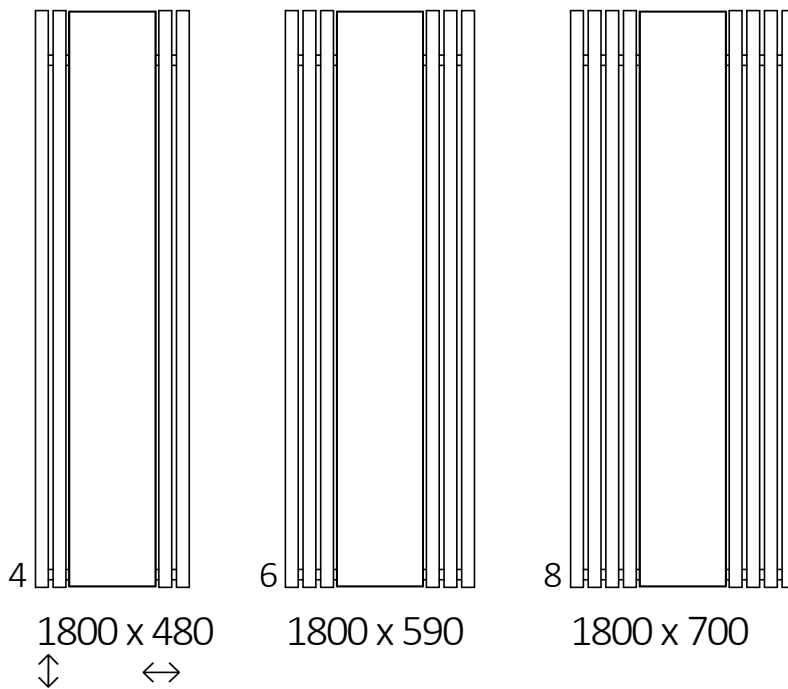
MOA, SOFT 9005

**ROLO MIRROR E**





## AVAILABLE SIZES



## ELECTRIC RADIATOR

Connections



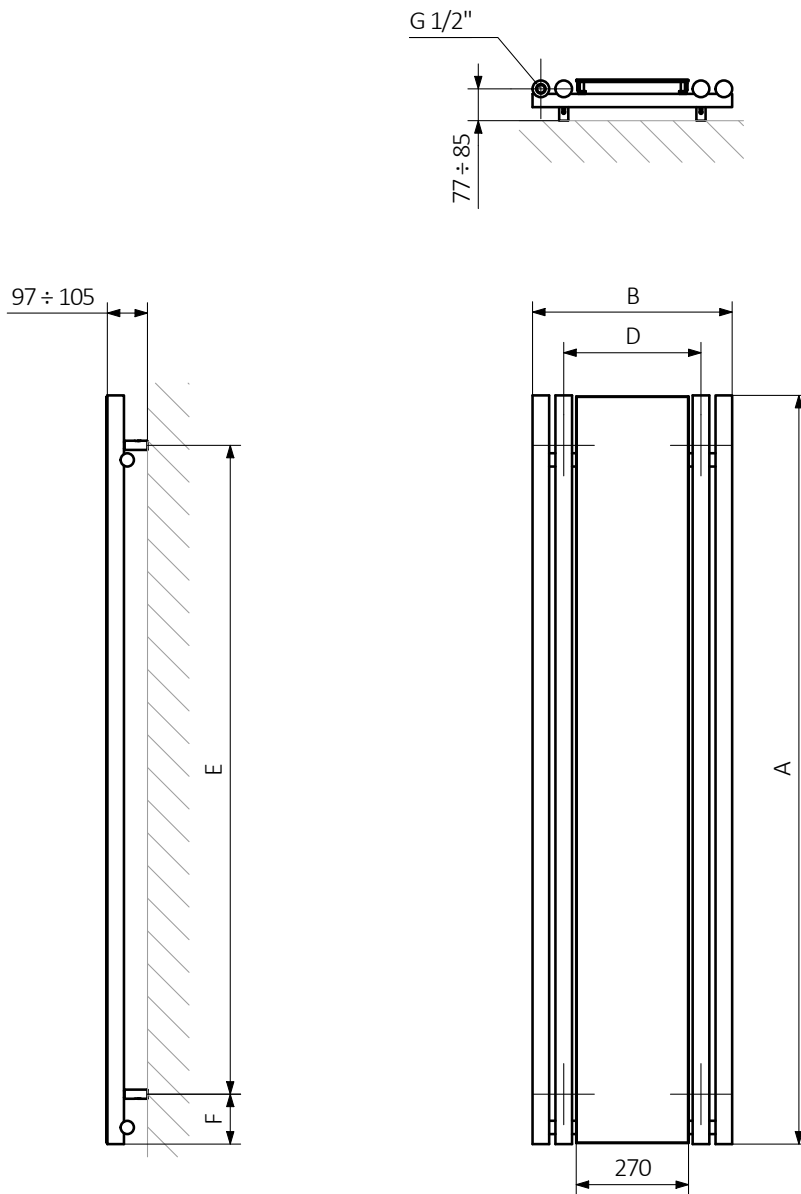
Height A ↕ [mm]	Width B ↔ [mm]	Heating power [W]	Product code <a href="#">... Configuration p. 7</a>
1800	480	600	WLROM180048
1800	590	800	WLROM180059
1800	700	1000	WLROM180070

## DIMENSIONS AND TECHNICAL INFORMATION

Height A ↕ [mm]	Width B ↔ [mm]	Spacing horizontal fasteners D [mm]	Spacing vertical fasteners E [mm]	Bottom fasteners position F [mm]	Capacity  [dm³]	Weight  [kg]
1800	480	330	1440	120	8,40	18,30
1800	590	440	1440	120	12,42	23,89
1800	700	550	1440	120	16,45	29,48

TECHNICAL DRAWING

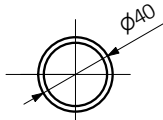
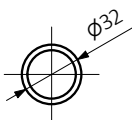
E1



A – Height B – Width D – Horizontal distance between mounting bracket centres E – Vertical distance between mounting brackets F – Distance between a mounting bracket and the bottom of the radiator

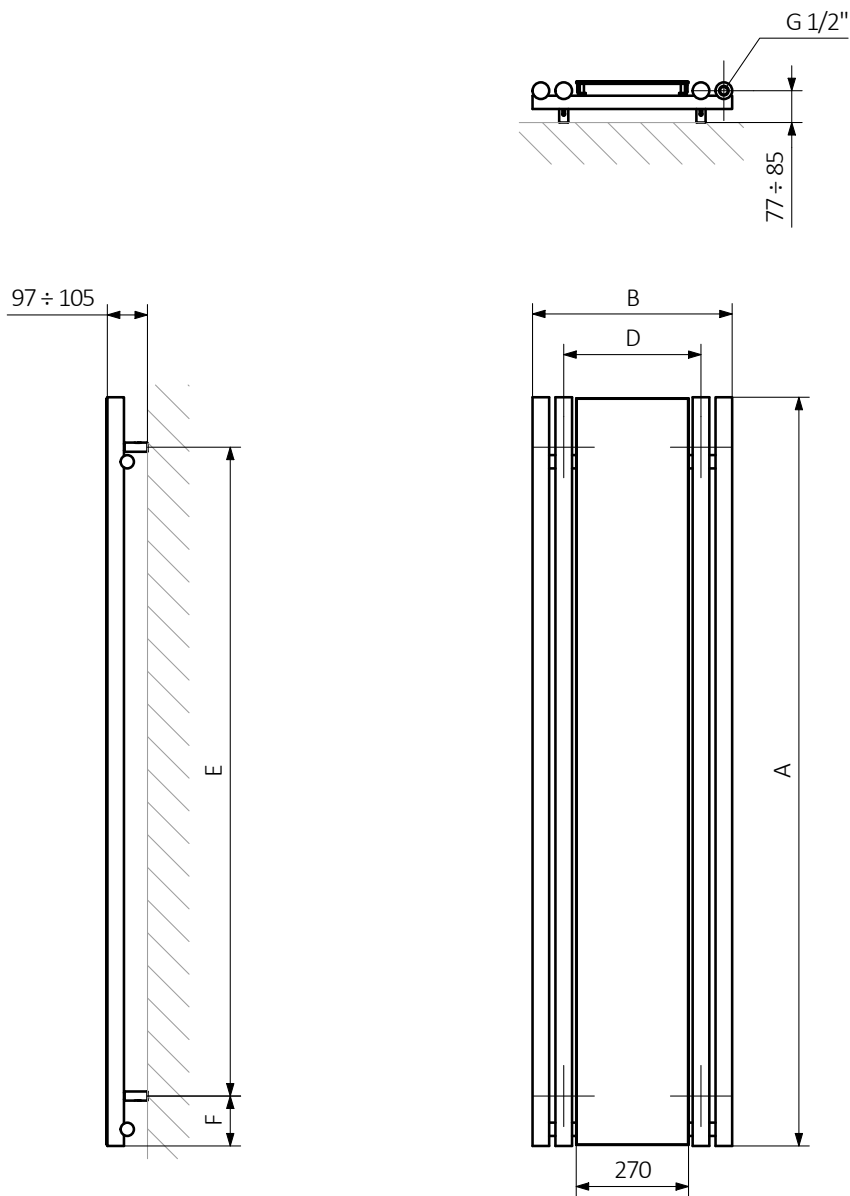
**Collector:**

**Pipe:**



TECHNICAL DRAWING

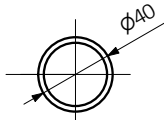
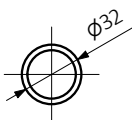
E8



A – Height B – Width D – Horizontal distance between mounting bracket centres E – Vertical distance between mounting brackets F – Distance between a mounting bracket and the bottom of the radiator

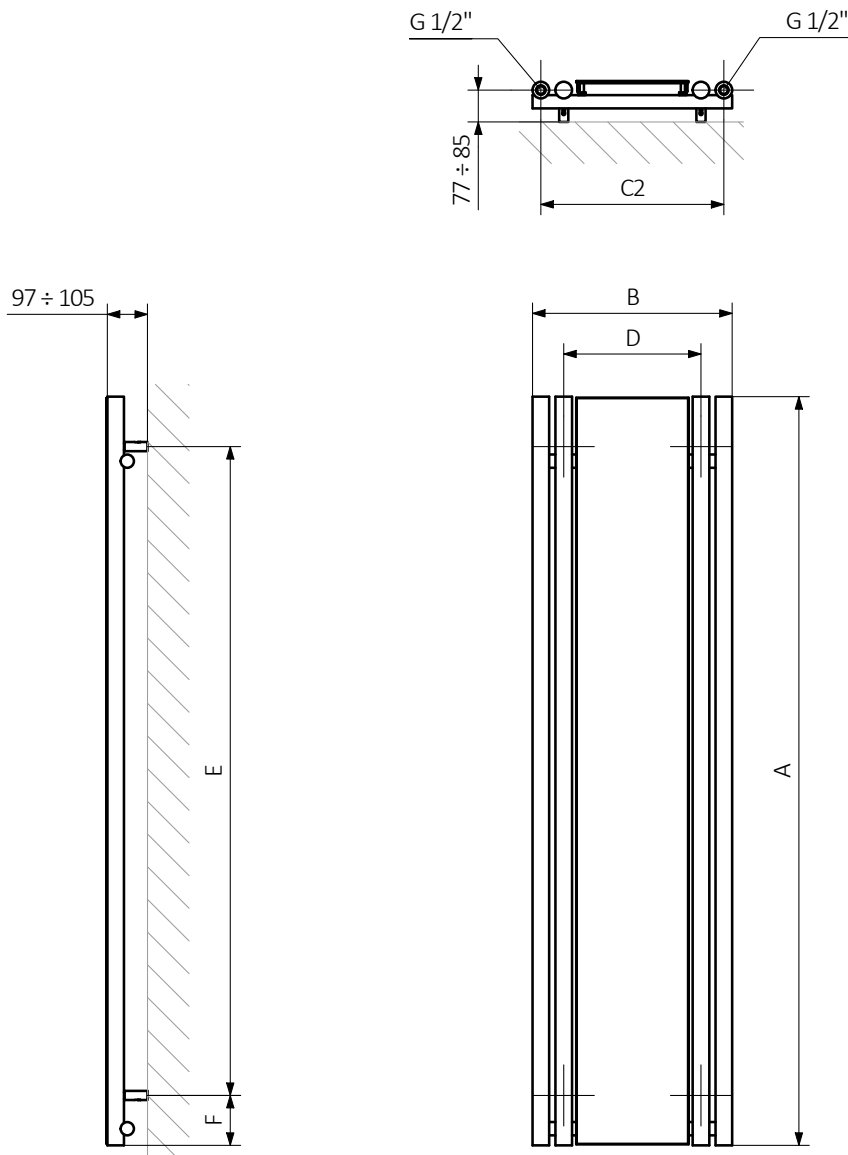
**Collector:**

**Pipe:**



TECHNICAL DRAWING

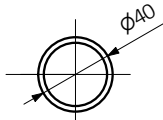
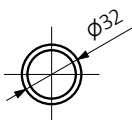
ES



A – Height B – Width D – Horizontal distance between mounting bracket centres E – Vertical distance between mounting brackets F – Distance between a mounting bracket and the bottom of the radiator

**Collector:**

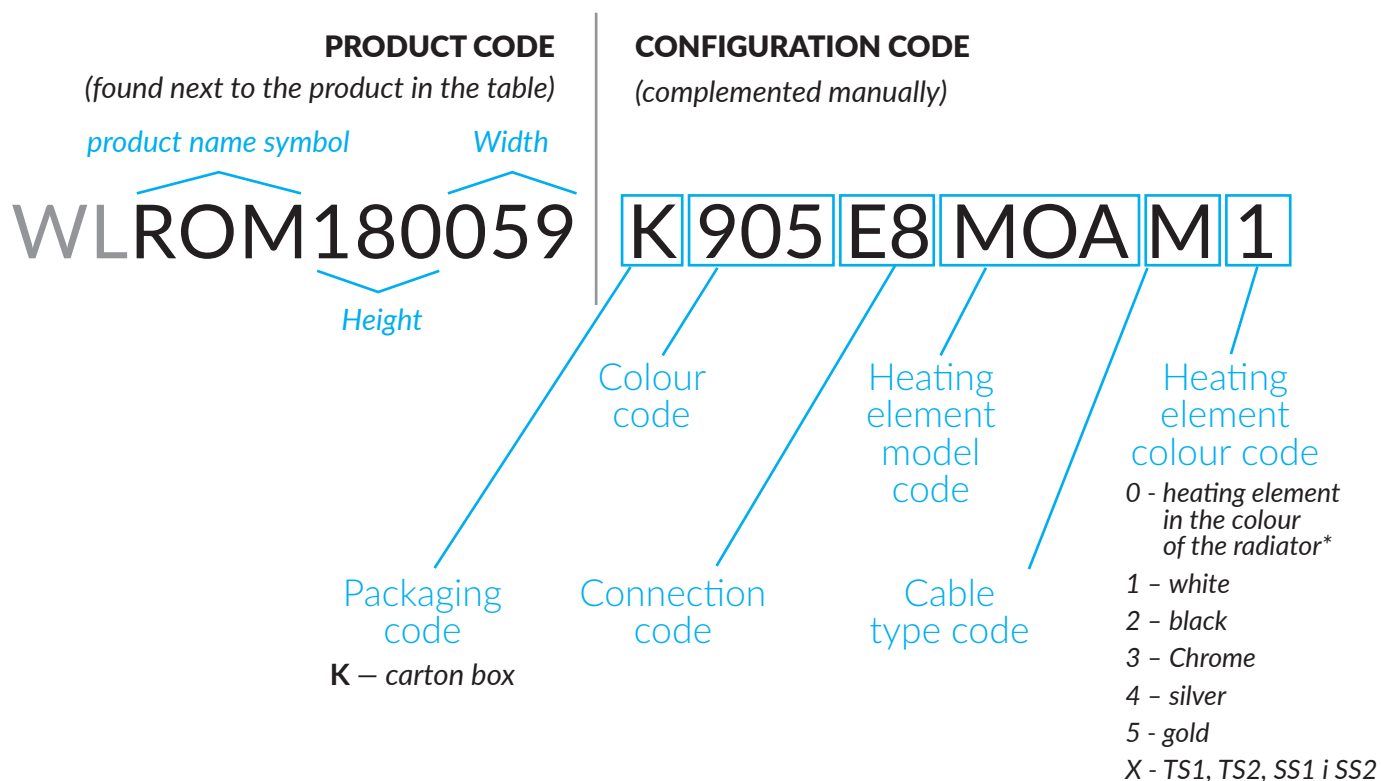
**Pipe:**



## A CONFIGURATION CODE FOR AN ELECTRIC TOWEL RAIL OR RADIATOR FILLED WITH OIL AND FITTED WITH A HEATING ELEMENT (PRODUCT GROUP „WL”)

Product codes can be found in the product tables in both the catalogue and the price list. They provide basic information about the product, and the configuration code contains information that complements the specification. When placing an order, the product codes should contain the fully completed configuration part. Part of the configuration code should be placed after the main product code as shown in the example below:

### CODE DETAILS:



WL – electric towel rail or radiator filled with oil and fitted with a factory installed heating element